

# PTE Ø56mm LED Modular Style Steady & Flashing with Buzzer

## TOWER LIGHTS



- LED modular components
- Bright & even light distribution through prism-cut lenses
- Fast & easy assembly with inter-locking construction
- 3 base body options
- Optional 85dB Buzzer (fixed or adjustable volume)
- NEMA 4x / IP65 rated
- RoHS compliant



### Order Information

**PTE - A F - 3 02 - RYGBC**  
 ① ② ③ ④ ⑤ ⑥

① Top Head Style	<b>PTE</b>	Standard
	<b>PTD</b>	Dome Head
② Body Unit Mounting / Connection	<b>A</b>	Pole Mounting/ Lead Wires
	<b>S</b>	Surface Mounting / Lead Wires
	<b>TP</b>	Pole Mounting/ Terminal Connection
	<b>TC</b>	Surface Mounting/ Terminal Connection
③ Light Style		Steady Light
	<b>F</b>	Steady & Flashing Light
④ Number of Stacks	<b>1</b>	1 Light
	<b>2</b>	2 Lights
	<b>3</b>	3 Lights
	<b>4</b>	4 Lights
	<b>5</b>	5 Lights
⑤ Power Supply	<b>02</b>	DC/AC 24V
	<b>FF</b>	AC 90~240V
⑥ Lens Colors (top to bottom)	<b>R</b>	Red
	<b>Y</b>	Yellow
	<b>G</b>	Green
	<b>B</b>	Blue
	<b>C</b>	Clear

### Optional Orders

#### Body Units

Body Type	Voltage	Part Number		
		Steady	Steady & Flashing	
Lead Wire Connection	Pole Mounting	AC 90~240V	PTE-A-FF	PTE-AF-FF
		DC/AC 24V	PTE-A-02	PTE-AF-02
	Surface Mounting	AC 90~240V	PTE-S-FF	PTE-SF-FF
		DC/AC 24V	PTE-S-02	PTE-SF-02
Terminal Connection	Pole Mounting	AC 90~240V	—	PTE-TP-FF
		DC/AC 24V	—	PTE-TP-02
	Surface Mounting	AC 90~240V	—	PTE-TC-FF
		DC/AC 24V	—	PTE-TC-02

#### LED Modules

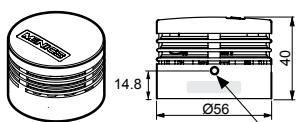
LED Color	Part Number	
	Standard Module	Dome Head Module
<b>RED</b>	PTE-02-R	PTD-02-R
<b>Yellow</b>	PTE-02-Y	PTD-02-Y
<b>Green</b>	PTE-02-G	PTD-02-G
<b>Blue</b>	PTE-02-B	PTD-02-B
<b>*Clear</b>	PTE-02-C	PTD-02-C

\*Clear Module cannot be used with Buzzer.

#### Buzzer Kits (Optional)

Buzzer Style	Part Number
Fixed Sound Level	MPZ-56F
Adjustable Sound Level	MPZ-56G

\*Note: Max. number of tier including Buzzer is 5.



Sound Level Adjuster



#### Locking Bolts

Number of LED Stacks	Part Number	Size
<b>1 Stack</b>	B-PTE-1	M4, 65mm
<b>2 Stacks</b>	B-PTE-2	M4, 105mm
<b>3 Stacks</b>	B-PTE-3	M4, 145mm
<b>4 Stacks</b>	B-PTE-4	M4, 185mm
<b>5 Stacks</b>	B-PTE-5	M4, 225mm

\*Note: Do NOT count Buzzer as a stack.

See Page 13-14  
for Mounting Options and Accessories.

# Specifications

## Body Units

Operation/Function	Steady/ Flashing	
Power Supply	AC/DC 24V (±10%)	AC 90~240V 50/60 Hz (±10%)
Buzzer Sound Level	Fixed: 85dB Adjustable: 10~85dB	
Lens Color	Red, Yellow, Green, Blue & Clear	
Lens Diameter	56 mm (2.2 inch)	
Maximum Tier	5	
Flash Rate	80 times/ minute	
Vibration	3mm at 10~55Hz	
Ambient Temperature	-15°C~40°C	
Storage Temperature	-40°C ~ 70°C	
Ambient Humidity	45~85% RH	
Degree of Protection	NEMA 4x, IP65 / IP50 (with Buzzer)	
Approvals	CE , UL, RoHS	
Recommended Wire Size	1007 UL / 22 AWG	

## LED Modules

Color		Red	Yellow	Green	Blue	Clear
Current / Power	Standard Module	27mA / 0.65W		35mA / 0.84W		
	Dome Head Module	58mA / 2.64W		52mA / 1.25W		53mA / 1.27W
Weight		Standard Module: 42.8g Dome Head Module: 53g				

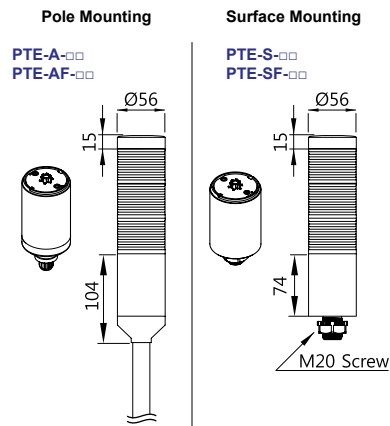
## Buzzer Kits

Model	MPZ-56F	MPZ-56G
Style	Fixed Sound Level	Adjustable Sound Level
Sound Level	85 dB	10~85 dB
Current Consumption / Power	30mA / 0.72W	30mA / 0.72W
Weight	32.2g	33g

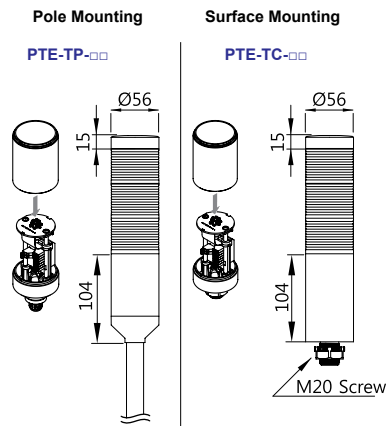
# Dimensions

unit: mm

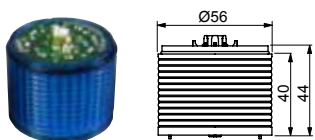
### Lead Wire Connection



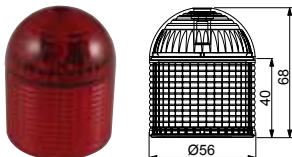
### Terminal Connection



### Standard Modules

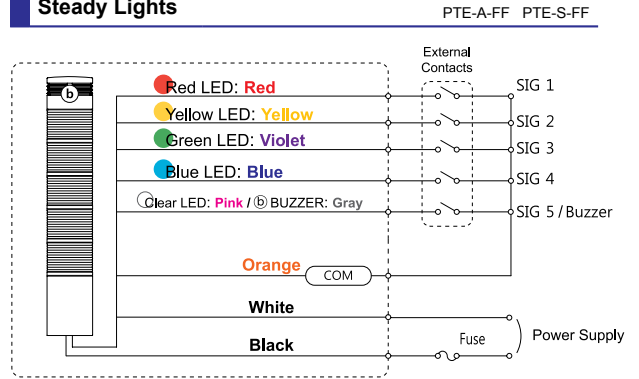


### Dome Head Modules

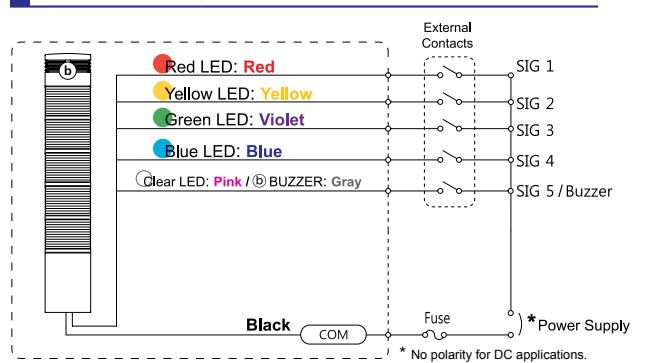


# Wiring Diagram

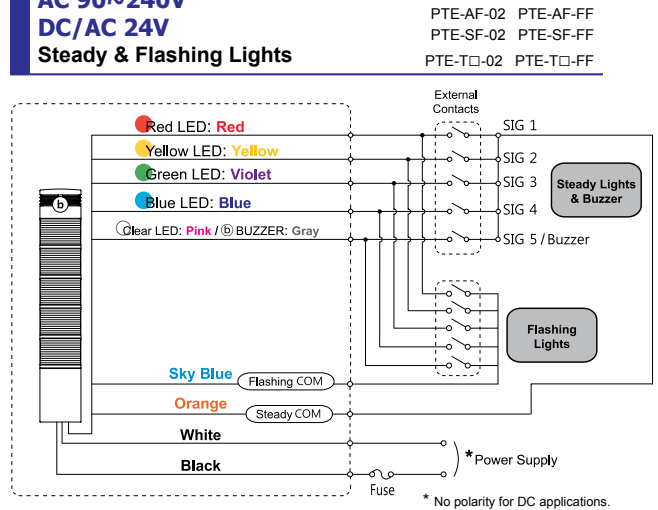
## AC 90~240V Steady Lights



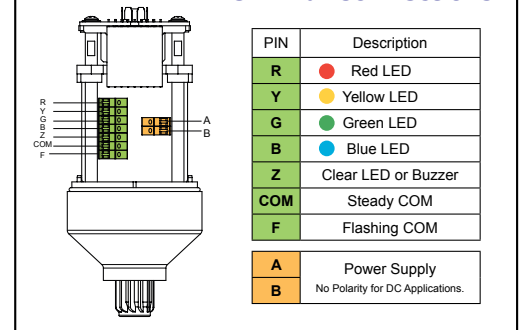
## DC/AC 24V Steady Lights



## AC 90~240V DC/AC 24V Steady & Flashing Lights

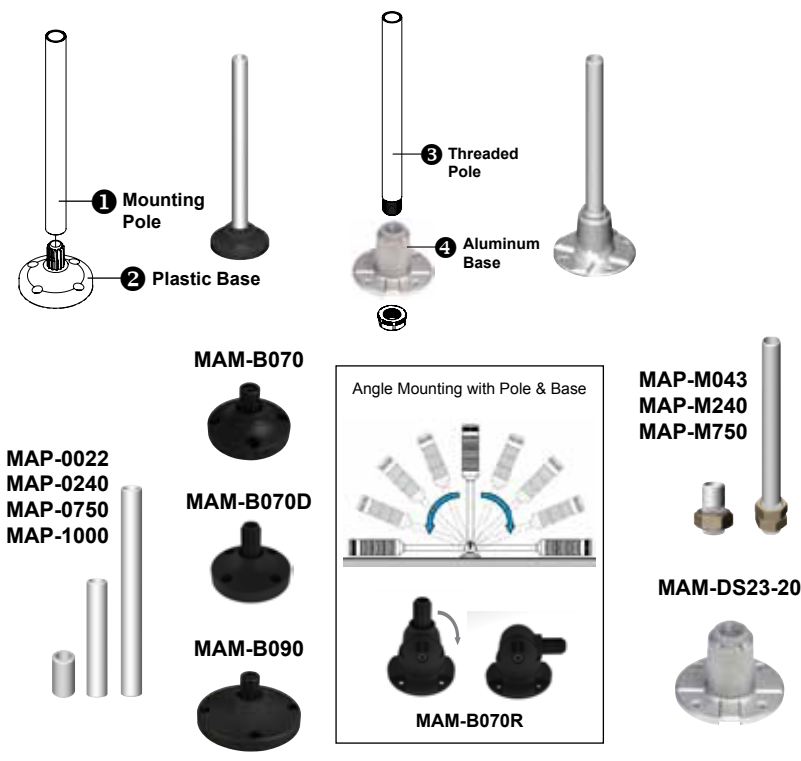


## Terminal Connections



**Pole Mounting with Base**

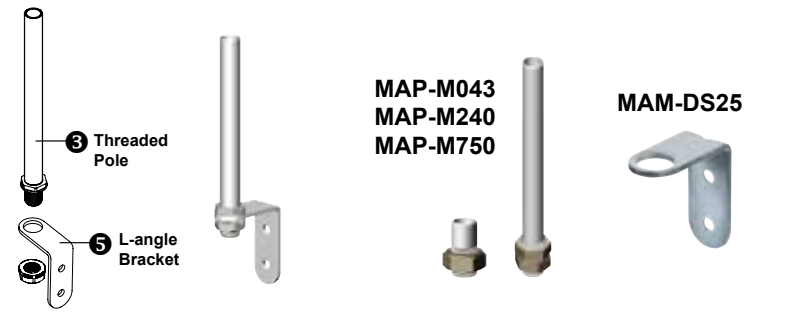
Part	Part #	Description
<b>1</b>	*MAP-0022	Ø20mm, 0.87 in (22 mm) pole
	MAP-0060	Ø20mm, 2.4 in (60 mm) pole
	MAP-0240	Ø20mm, 9.45 in (240 mm) pole
	MAP-0750	Ø20mm, 29.53 in (750 mm) pole
	MAP-1000	Ø20mm, 39.37 in (1000 mm) pole
<b>2</b>	MAM-B070	Ø70mm Plastic Base
	MAM-B070D	Ø70mm Plastic Base with Water-Proof Rubber Gasket
	MAM-B070R	Ø70mm Plastic Base with 180° rotating pole holder
	MAM-B090	Ø90mm Plastic Base
<b>3</b>	MAP-M043	Ø20mm, 1.69 in (43 mm) threaded pole with 1 nut
	MAP-M240	Ø20mm, 9.45 in (240 mm) threaded pole with 2 nuts
	MAP-M750	Ø20mm, 29.53 in (750 mm) threaded pole with 2 nuts
<b>4</b>	MAM-DS23-20	Aluminum Base



\* MAM-0022 CANNOT be used with PTE & PTM Series.

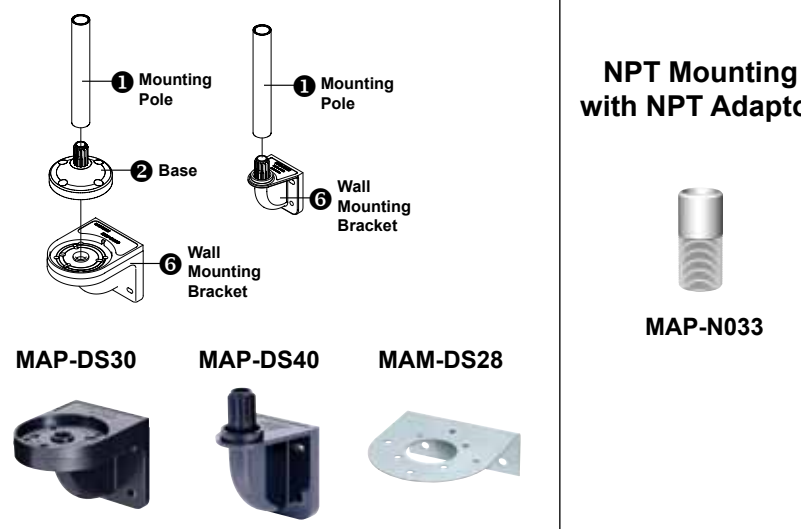
**L-angle Mounting with Bracket**

Part	Part #	Description
<b>3</b>	MAP-M043	Ø20mm, 1.69 in (43 mm) threaded pole with 1 nut
	MAP-M240	Ø20mm, 9.45 in (240 mm) threaded pole with 2 nuts
	MAP-M750	Ø20mm, 29.53 in (750 mm) threaded pole with 2 nuts
<b>5</b>	MAM-DS25	L-angle Bracket



**Wall Mounting with Bracket**

Part	Part #	Description
<b>1</b>	*MAP-0022	Ø20mm, 0.87 in (22 mm) pole
	MAP-0240	Ø20mm, 9.45 in (240 mm) pole
	MAP-0750	Ø20mm, 29.53 in (750 mm) pole
	MAP-1000	Ø20mm, 39.37 in (1000 mm) pole
<b>2</b>	MAM-B070	Ø70mm Plastic Base
	MAM-B070D	Ø70mm Plastic Base with Water-Proof Rubber Gasket
<b>6</b>	MAP-DS30-BLK	Plastic Wall Mounting Bracket, Black (Pole & Base required)
	MAP-DS30-BGE	Plastic Wall Mounting Bracket, Beige (Pole & Base required)
	MAP-DS40-BLK	Plastic Wall Mounting Bracket, Black (Pole required)
	MAP-DS40-BGE	Plastic Wall Mounting Bracket, Beige (Pole required)
	MAM-DS28	Metal Wall Mounting Bracket (Pole & Base required)



**NPT Mounting with NPT Adaptor**

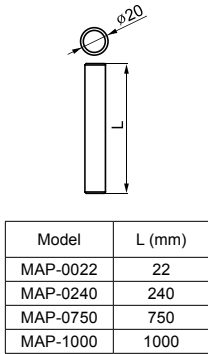
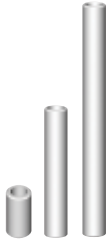


\* MAM-0022 CANNOT be used with PTE & PTM Series.

# Accessories

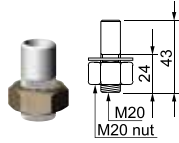
## Mounting Poles

MAP-0022  
MAP-0240  
MAP-0750  
MAP-1000

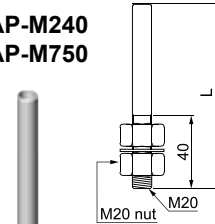


## Threaded Poles

MAP-M043



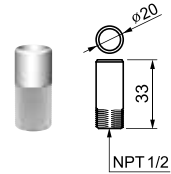
MAP-M240  
MAP-M750



Model	L (mm)
MAP-M240	240
MAP-M750	750

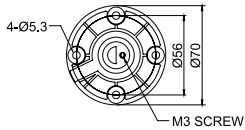
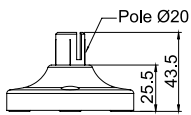
## NPT Adaptor

MAP-N033

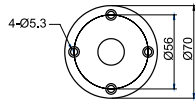
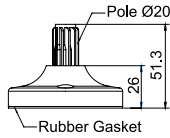


## Mounting Bases

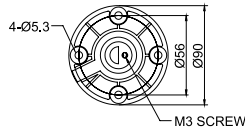
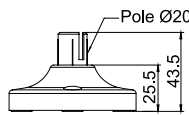
MAM-B070



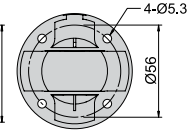
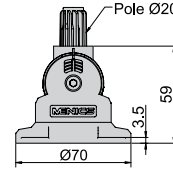
MAM-B070D



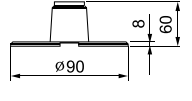
MAM-B090



MAM-B070R

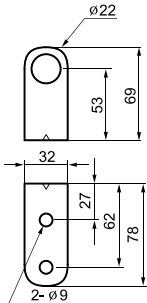


MAM-DS23-20

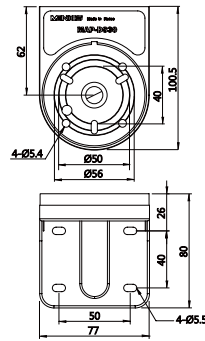


## Wall Mount Brackets

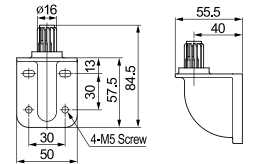
MAM-DS25



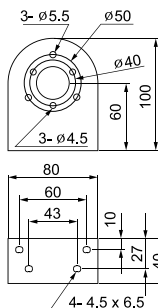
MAP-DS30



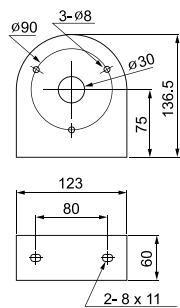
MAP-DS40



MAM-DS26



MAM-DS27



MAM-DS28

